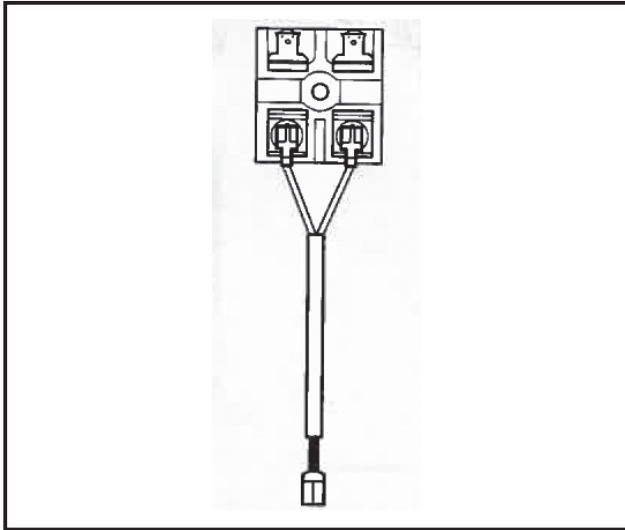




Photo



Descriptions

The terminal block is used as a relay to wire an indoor unit and to 2 remote controllers or to wire a remote controller and multiple indoor units in order to perform grouping control.

Applicable Models

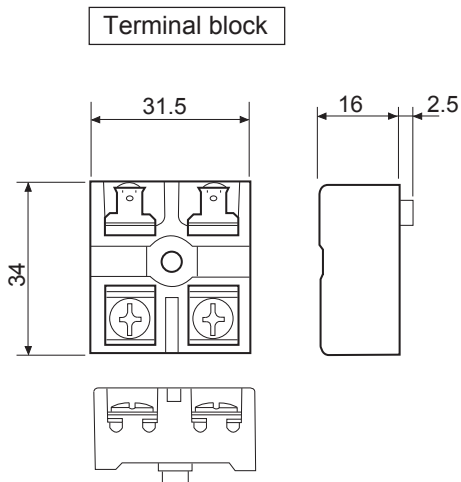
- PKA-RP HAL
- PKA-RP KAL

Specifications

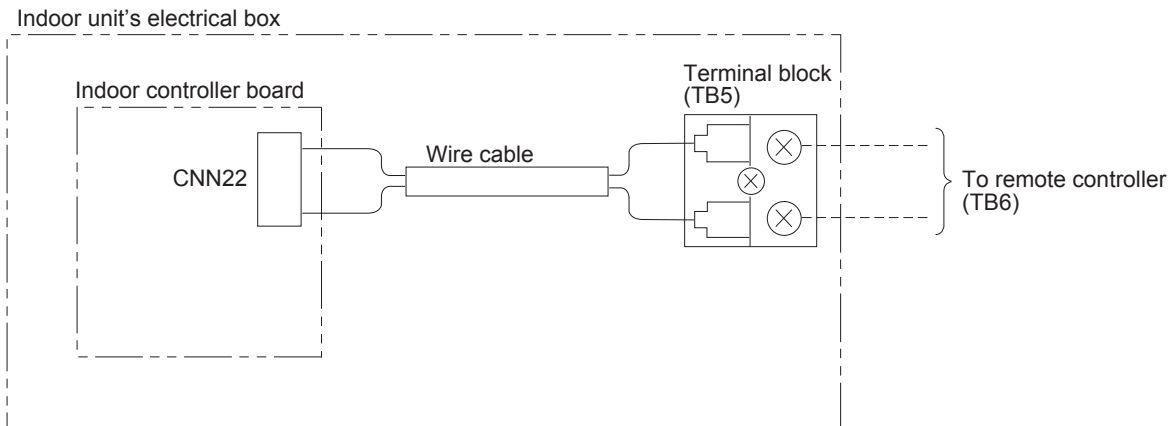
Terminal block capacity	10A/250V
Applicable wire	Φ1.6mm or less
Terminal block material	Phenol resin

Dimensions

Unit : mm



Wiring Diagram



OPTIONAL PARTS

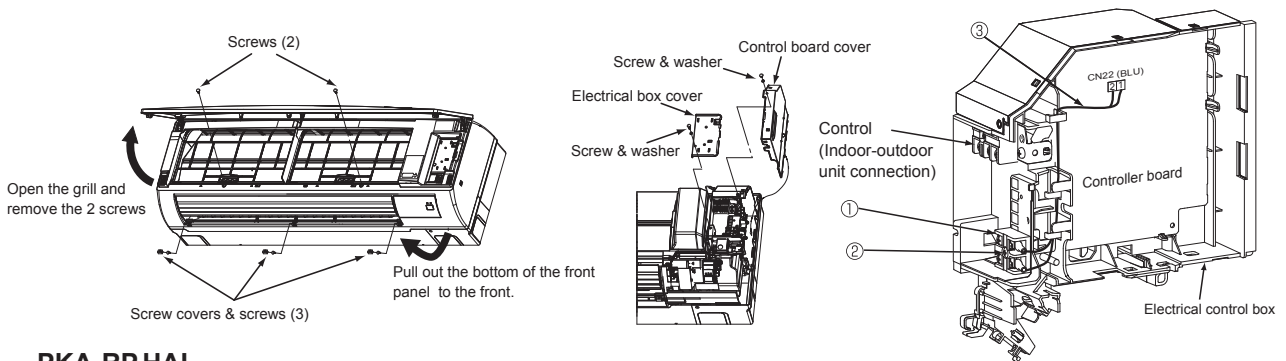
1 Included parts

- ① Terminal block (TB5)1 ② Screw1 ③ Wire cable1 (240 mm)

2 Installation procedure

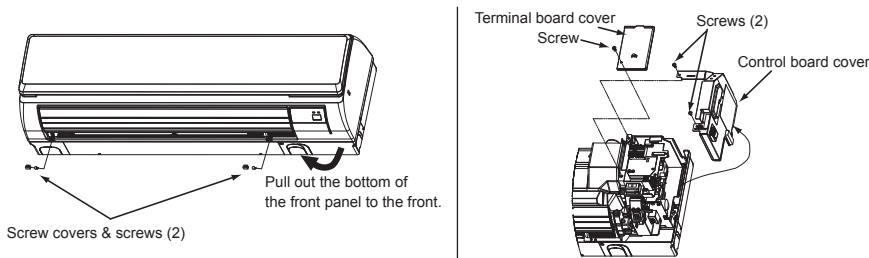
PKA-RP.KAL

- 1). Open the front grille and remove the 2 screws.
- 2). Remove the 3 screw covers and the 3 front panel screws.
- 3). Pull out the bottom of the front panel to the front.
 Note: Beware that the panel does not contact with the vane while in the procedure.
- 4). Remove the terminal block cover and the control board cover by removing their respective screws.
 Note: Be sure to keep the washers at hand.
- 5). Secure terminal block ① with screw ② to the electrical control box.
- 6). Connect wire cable ③ to terminal block ① and to connector CN22 on the indoor controller board.
- 7). Wire the wires of the cable that wire an indoor unit and 2 remote controllers or the cable that wire a remote controller and multiple indoor units for grouping control to the screw terminals at the bottom of terminal block ①.
 Note: For more details about the methods for wiring the indoor unit and the remote controller(s), refer to the installation manual attached with the appropriate indoor unit.
- 8). After the installation of the terminal block is complete, reinstall the removed parts in the reverse order.



PKA-RP.HAL

- 1). Remove the 2 screw covers and the 2 front panel screws.
- 2). Pull out the bottom of the front panel to the front.
 Note: Beware that the panel does not contact with the vane while in the procedure.
- 3). Remove the terminal block cover and the control board cover by removing their respective screws.



- 4). Secure terminal block ① with screw ② to the electrical control box.
- 5). Connect wire cable ③ to terminal block ① and to connector CN22 on the indoor controller board.
- 6). Wire the wires of the cable that wire an indoor unit and 2 remote controllers or the cable that wire a remote controller and multiple indoor units for grouping control to the screw terminals at the bottom of terminal block ①.
 Note: For more details about the methods for wiring the indoor unit and the remote controller(s), refer to the installation manual attached with the appropriate indoor unit.
- 7). After the installation of the terminal block is complete, reinstall the removed parts in the reverse order.

