

# Mitsubishi Lossnay Ventilator

MODELS:

**VL-80U5-E** (Pull cord Type)

**VL-80EU5-E** (Wall switch Type)

## Operating Instructions

## For Customer

### Contents

1. Safety precautions.....	2
2. When using the unit.....	4
3. Features .....	5
4. Names of parts .....	5
5. Before you start the Lossnay.....	5
6. Operation.....	6
7. Maintenance .....	8
8. Troubleshooting .....	12
9. Specifications .....	13
10. After-sales servicing .....	13

Please read these instructions thoroughly to ensure safe and proper use.

Before proceeding with operation, please be sure to read **1. Safety precautions**, as it will tell you how to operate the Lossnay ventilator properly and safely.







Do not install the unit yourself. (The safety and performance of customer-installed units is not guaranteed.)

If the supply cord is damaged, it must be replaced by the manufacturer, its service agent or a similarly qualified persons in order to avoid a hazard. (VL-80U5-E only)

- Contact your dealer.

# 1. Safety precautions

The following signs indicate that death or serious injury may be caused by failure to heed the precautions described below.

 <b>WARNING</b>	Incorrect handling could cause serious injury or death.
 Prohibited	<p><b>Do not cut, damage or physically alter the power cord*<sup>1</sup> or subject it to unreasonable bending, pulling, twisting or bundling.</b> You could damage the cord, resulting in fire or electric shock.</p> <p><b>Do not turn the Lossnay switch ON or OFF if there is a flammable gas leak.</b> Sparks from electric contacts could cause explosions. Open a window to ventilate the room.</p>
 Do not disassemble	<p><b>Do not disassemble the unit in ways that require physical alteration or tools.</b> Fire, electric shock or injury could result.</p>
 Do not expose to water	<p><b>Do not let the unit get wet.</b> Fire or electric shock could result.</p>
 No wet hands	<p><b>Do not insert or remove the power plug*<sup>1</sup> with wet hands.</b> Electric shock could result.</p>
 You must follow the instructions given.	<p><b>Use at the rated voltage.</b> Fire or electric shock could result.</p>
	<p><b>Check that there is no dust on the power plug*<sup>1</sup>.</b> A dusty plug could cause fire from a short circuit.</p>
	<p><b>Insert the plug*<sup>1</sup> completely into the socket, making sure it is not loose.</b> A loose fit could result in electric shock or fire.</p>
	<p><b>Always shut off circuit breakers or remove the power plug*<sup>1</sup> from the wall outlet before performing maintenance work.</b> Electric shock and burns could result if power is flowing.</p>
	<p><b>Immediately halt use in the event of malfunction or breakdown.</b> Continued use of the Lossnay could result in smoke, fire, electric shock or injury. * Promptly shut off the circuit breaker or remove the power plug*<sup>1</sup> from the wall outlet. Then contact the store of purchase for inspection and repair.</p> <p>&lt;Examples of malfunction and breakdown&gt;</p> <ul style="list-style-type: none"> <li>- Blades do not turn when power is turned on.</li> <li>- The unit makes strange noises or vibrates while running.</li> <li>- Blade rotation is slow or irregular. (Motors require periodic maintenance.)</li> <li>- You smell burning.</li> <li>- The unit mount is corroded or damaged.</li> </ul>
	<p><b>Make sure that the outside air intake opening is positioned so that it will not take in combustion gases or other exhaust.</b> If intake air is not fresh, oxygen could become depleted in the room.</p>

	<b>CAUTION</b>	Incorrect handling could cause injury or damage to property or household effects.
	Prohibited	<p><b>Do not place combustion equipment in the direct path of the air from the unit.</b> Incomplete combustion could result in accidents.</p> <p><b>Do not use the unit in excessively hot areas (40°C or more), near open flames, areas prone to oily smoke, or where it could come in contact with organic solvents.</b> Fire could result.</p> <p><b>Never attach the unit to the ceiling.</b> Injury could result if the unit falls.</p>
	Do NOT touch	<p><b>A fan rotates inside the unit during operation. Never stick anything inside the unit during operation.</b> Injury could result.</p>
	Do NOT use in bath or shower	<p><b>Do not use the unit in a bathroom or other highly humid location.</b> Electric shock or breakdown could result.</p>
	You must follow the instructions given.	<p><b>Install the outdoor weather covers packaged with the unit.</b> Rainwater entering the unit could result in electric shock, fire or indoor items getting wet.</p> <p><b>If using a step-ladder for maintenance, be sure to place it on level ground where there is nothing underfoot.</b> Injury could result from falling over.</p> <p><b>Wear gloves when maintaining the unit.</b> Failure to wear gloves could result in injury.</p> <p><b>After maintenance, reattach parts securely.</b> Injury could result if the unit falls.</p> <p><b>Never remove the power plug*1 by pulling on the cord. Always grasp the plug itself.</b> Could result in electric shock or shorts, or could cause fires.</p> <p><b>Always shut off circuit breakers or remove the power plug*1 from the wall outlet during long periods of disuse.</b> Failure to do so could result in electric shock from deteriorated insulation, or fire from a short circuit.</p> <p><b>If the outside air is cold, winds are strong, snow or rain is falling heavily, or there is mist or fine snow, turn the Lossnay off and install the air flow covers.</b> Water or snow could infiltrate the Lossnay with the air supply, resulting in weather damage.</p> <p><b>When operating the core handles, be sure to hold both A and B with both of your hands.</b> Failure to do so could result in damage or injury as you lose your balance.</p> <p><b>Other than EU countries:</b> This appliance is not intended for use by persons (including children) with reduced physical sensory or mental capabilities, or lack of experience and knowledge, unless they have been given supervision or instruction concerning use of the appliance by a person responsible for their safety. Children should be supervised to ensure that they do not play with the appliance.</p> <p><b>EU countries:</b> This appliance can be used by children aged from 8 years and above and persons with reduced physical, sensory or mental capabilities or lack of experience and knowledge if they have been given supervision or instruction concerning use of the appliance in a safe way and understand the hazards involved. Children shall not play with the appliance. Cleaning and user maintenance shall not be made by children without supervision.</p>

\*1 Refers only to VL-80U5-E (Lossnay with plug-in power cord).

## 2. When using the unit

- When the Lossnay is operated in winter, it takes in air from the outside and transfers heat from the indoor air to the cold outside air. If the outside air temperature drops to  $-10^{\circ}\text{C}$  or lower, stop the operation and attach the air flow covers. (To prevent freezing of or damage to the Lossnay core and to reduce the occurrence of condensation on the exterior of the Lossnay main unit)
- If the outside air temperature drops to  $-10^{\circ}\text{C}$  or lower, condensation may occur on the main unit surface or the panel, although this depends on various subtle conditions (such as the indoor temperature and humidity, and the flow of air). In these cases, wipe off the condensation with a soft cloth.
- Even if operation is stopped, condensation may occur if the dew point temperature is reached under conditions such as the examples shown in the table below (Table 1). In these cases, wipe off the condensation with a soft cloth.

Table 1

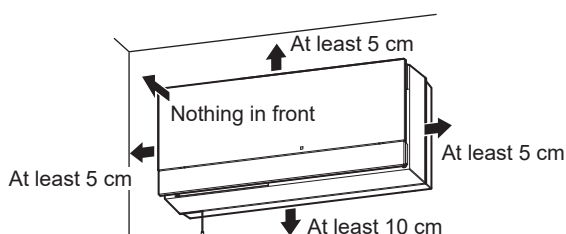
Outside temperature ( $^{\circ}\text{C}$ )		-10	-15	-20	-25
Indoors	Temperature ( $^{\circ}\text{C}$ )	20	20	20	15
	Humidity (%)	40	35	30	30

### ■ Check that the unit is mounted properly before using it.

- Is the Lossnay mounted on a wall?
  - This Lossnay is designed to be mounted only on a wall. If mounted on a ceiling, it may drop off.
- Is the special outdoor hood mounted on an exterior wall?
  - Failure to install the hood may allow wind and rain into the unit, damaging it.

### ■ Obey the following cautions when using the Lossnay

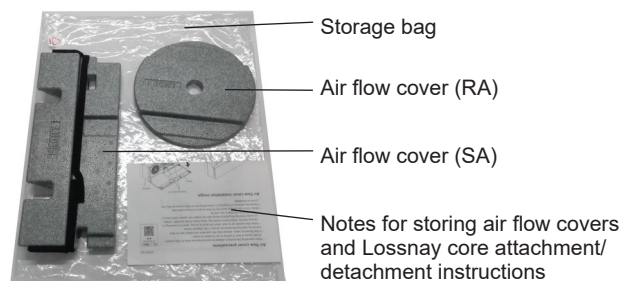
- Do not place objects around the unit.
  - Such objects may block air outlets or intake openings or may prevent servicing.
  - They may also prevent you from reaching the wall outlet (for plug-in models).



- When an object (such as a bookshelf or a chest of drawers) is placed directly below the unit, orient the louver horizontally.
  - Failure to do so could result in a short circuit.
  - Wind may blow against the object and cause it to become dirty.
- Do not use aerosol sprays (such as insect sprays, hair sprays or cleaners) directly on the unit.
  - The panel may warp, weaken, or become damaged.
- Do not obstruct the panel.
  - Proper ventilation may be impeded.
- Do not pull the cord diagonally (VL-80U5-E only).
  - The unit will not operate correctly.

### ■ Air flow covers

- Store air flow covers in the storage bag.
- When using the air flow covers, refer to 6. Operation.



- In the following conditions, stop operation and install the air flow covers.
  - If the outside air is cold, winds are strong, snow or rain is falling heavily, there is heavy fog, or fine snow is falling. (Water or snow may infiltrate the Lossnay with the air supply, resulting in weather damage.)
  - When you feel cold due to cold air (Stop the Lossnay temporarily, resuming operation later.)

### ■ Mitsubishi recommends mounting the Lossnay away from the bed.

If the unit is too close, you may hear operating noise or feel cold air blowing while in bed.

### ■ Bugs smaller than the grate openings of the outdoor hood may be able to infiltrate the unit.

### ■ The motor and the air filter require periodic maintenance (replacement).

Replacement time will vary with frequency of use.

### ■ Attend the trial operation performed by the dealer.

Receive an explanation from your dealer on operation procedures as well as how to use the product correctly to ensure safety.

## 3. Features

### The Lossnay ventilator, from Mitsubishi

#### Running the Lossnay

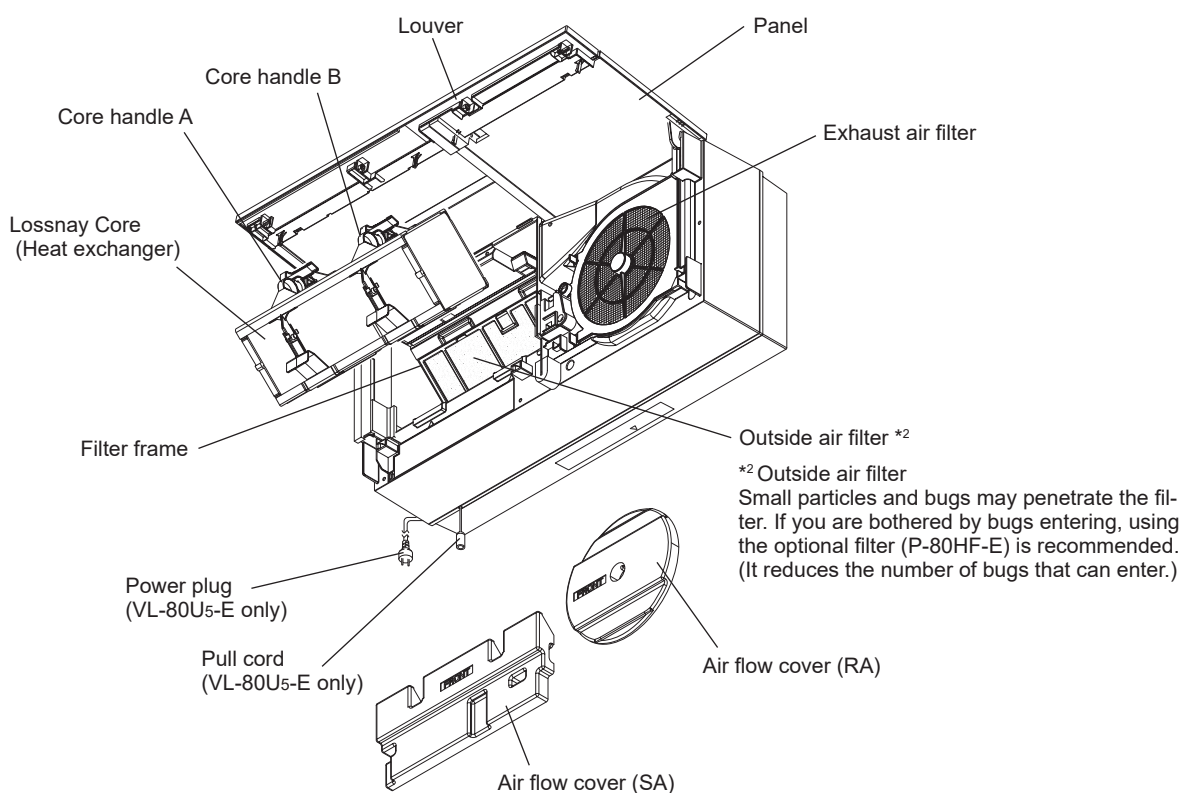
The Lossnay moves dirty indoor air outside (exhausting it) and brings clean air from the outside in (providing air supply).

When it supplies air, it brings outside air close to room temperature (functioning as a heat exchanger).

\* The Lossnay is not an air-conditioner. It is a ventilating fan that exchanges heat as it ventilates.

- ◆ Since it not only sends indoor air out but also brings fresh air in, it works well in tightly sealed homes.
- ◆ Since it is a heat exchanger, it provides heating and cooling at a lower cost than ventilators that merely exhaust.
- ◆ Built-in filters reduce the amount of dust, pollen and other particles entering the house in outside air.

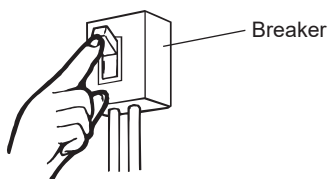
## 4. Names of parts



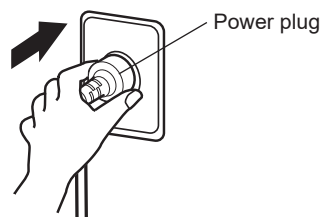
## 5. Before you start the Lossnay

### Preparing to turn the power on

1. Turn the circuit breaker on at the distribution board.



2. Insert the power plug into the wall outlet. (VL-80U5-E only)



# 6. Operation

## Note

- Be sure to remove both air flow covers before operating the product. (Failing to do so may prevent air from coming out or increase the noise level.)
- In the following cases, stop the operation, open the panel, and attach the air flow covers.
  - If the outside air is cold, winds are strong, snow or rain is falling heavily, there is heavy fog, or fine snow is falling. (Water or snow may infiltrate the Lossnay with the air supply, resulting in weather damage.)
  - When you feel cold due to cold air
  - When the air flow covers are not used, place them in the provided storage bag and store them carefully.
  - Handle the air flow covers carefully and do not drop them as they can easily crack.
  - If air flow covers are damaged or lost, purchase the following service parts.

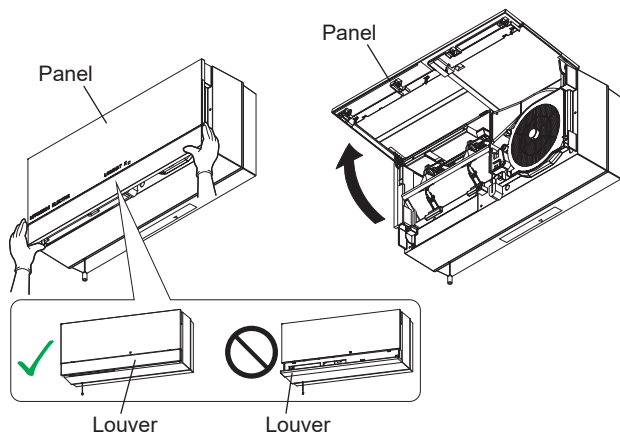
Service part number:

Air flow cover (SA)...W36014836

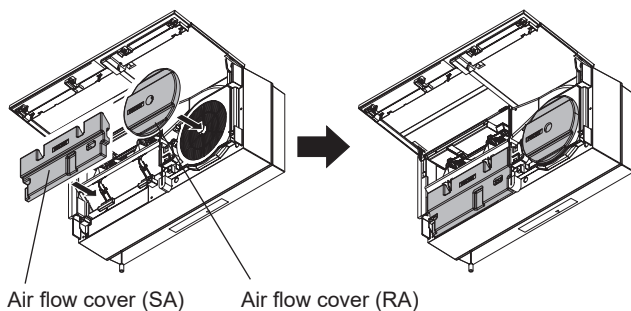
Air flow cover (RA)...W36014835

### How to attach air flow covers

- 1) Check that the louver is closed, hook your fingers on both sides of the panel, and pull it upward. (If the louver is open, the panel may get damaged.)



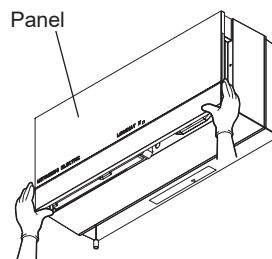
- 2) Install the air flow covers.



## Note

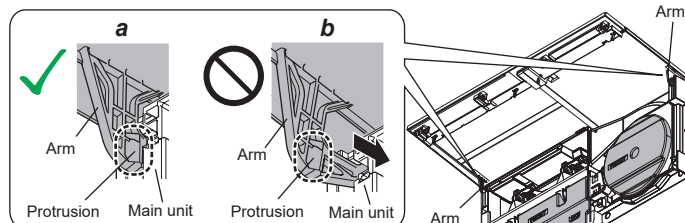
- Do not open the louver in a state where the air flow covers are installed.

- 3) Check that the louver is closed and close the panel. (If the louver is open, the panel may get damaged.)



## Note

- When closing the panel, check that the protrusion on the arm is at the position shown in a. If the protrusion on the arm is sticking out of the main unit as shown in b, push the panel in the direction indicated by the arrow until you hear a click. (Closing the panel while the protrusion on the arm is sticking out of the main unit may damage the panel.)



## Warning

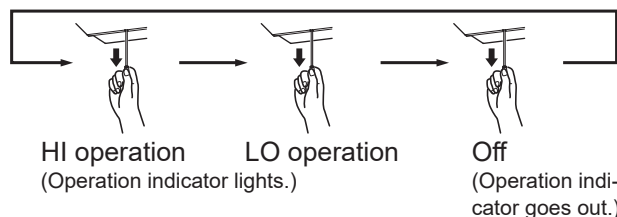
- Always shut off circuit breakers or, for the VL-80U5-E, remove the power plug from the wall outlet before performing maintenance work.
- Electric shock and burns could result if power is flowing.

## Caution

- Wear gloves when maintaining the unit.
- Failure to wear gloves could result in injury.
- If using a step-ladder, be sure to place it on level ground where there is nothing underfoot.
- Injury could result from falling over.

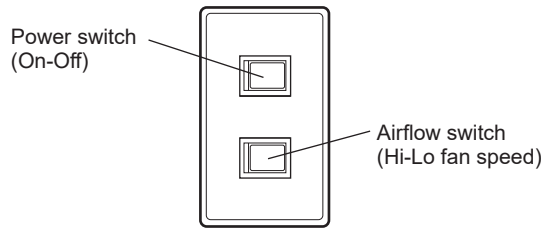
### For VL-80U5-E

Switching operating modes (airflow)  
Pull the cord to switch from HI to LO to Off.



## For VL-80EU5-E

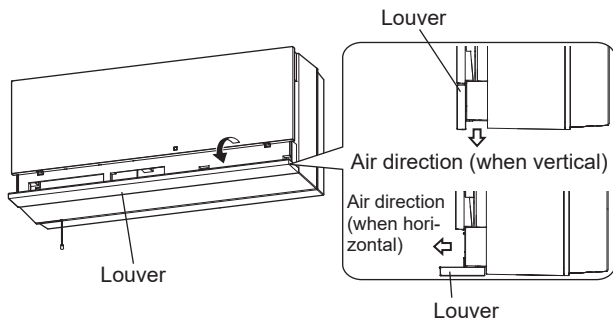
Using the control switches.



\* The switches shown above are only an example. Operations and indicators may vary depending on the switches installed.

## If cold air is blowing on you

If cold air is blowing directly on you, flip the louver toward you to change the direction of air flow from vertical to horizontal. (Move manually.)





## 7. Maintenance

To maximize the life of the Lossnay, clean off any accumulated dirt and dust on the exhaust air filter and outside air filter **at least once every six months**.

### ⚠ Warning

- **Always shut off circuit breakers or, for the VL-80U5-E, remove the power plug from the wall outlet before performing maintenance work.**
  - Electric shock and burns could result if power is flowing.

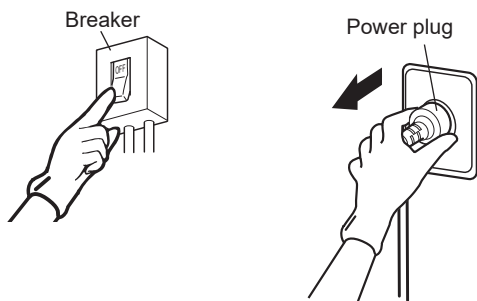
### ⚠ Caution

- **Wear gloves when maintaining the unit.**
  - Failure to wear gloves could result in injury.
- **If using a step-ladder, be sure to place it on level ground where there is nothing underfoot.**
  - Injury could result from falling over.
- **Be careful not to insert your fingers deeply into the part in which you hook your fingers in the core handles A and B.**
  - Your fingers may get caught resulting in injury.

## 7.1 Removing and cleaning filters and the Lossnay Core

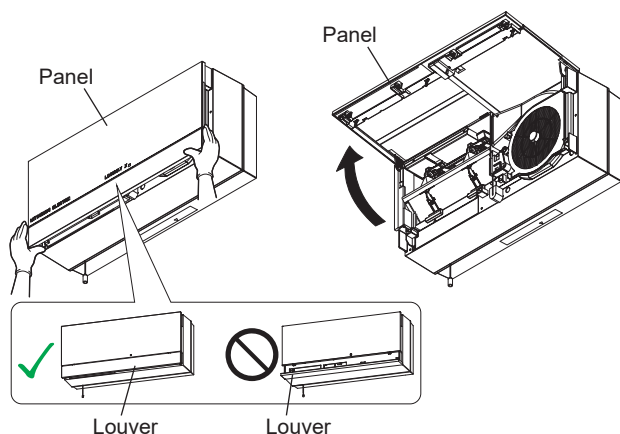
### 7.1.1 Turn the power off

- 1) Turn the Lossnay off.
- 2) Always shut off circuit breakers or, for the VL-80U5-E, remove the power plug from the wall outlet.



### 7.1.2 Open the panel.

Check that the louver is closed, hook your fingers on both sides of the panel, and pull it upward. (If the louver is open, the panel may get damaged.) Firmly open it all the way.

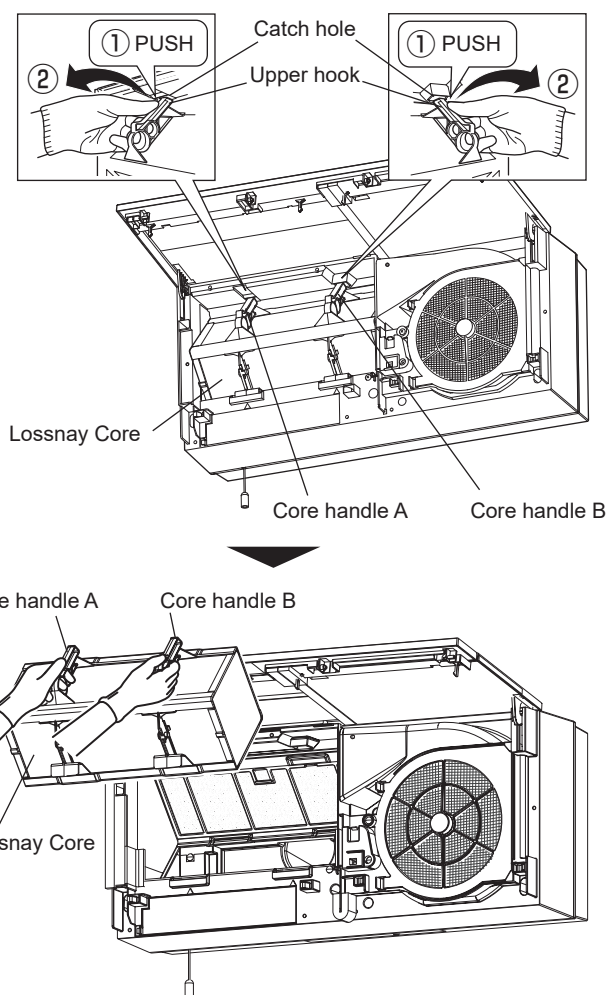


### 7.1.3 Remove the Lossnay Core.

Hold core handles A and B of the Lossnay Core with both of your hands and push part ① of the upper hook of core handles A and B to remove the core from the catch hole. Then, hold core handles A and B and pull them in the direction ② to remove the Lossnay Core.

**For detailed information, refer to the video available here.**

<https://www.youtube.com/@mitsubishielectricnakatsug585>



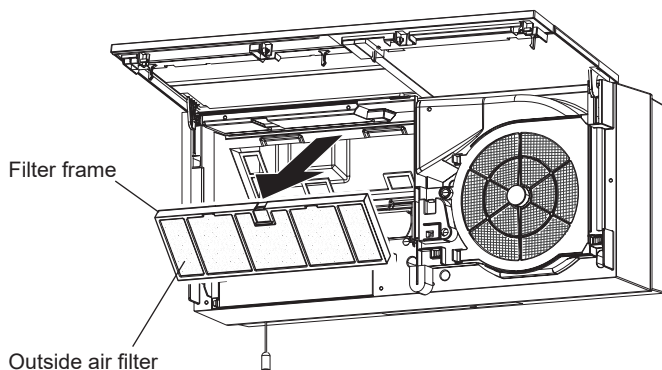
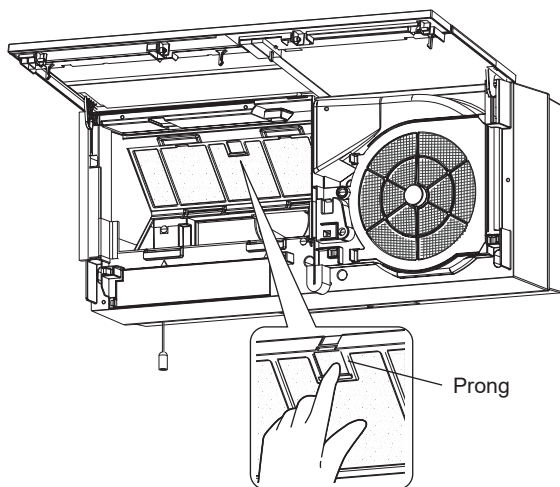
### ⚠ Caution

- **When operating the core handles, be sure to hold both A and B with both of your hands.**
  - Failure to do so could result in damage or injury as you lose your balance.



### 7.1.4 Remove the outside air filter.

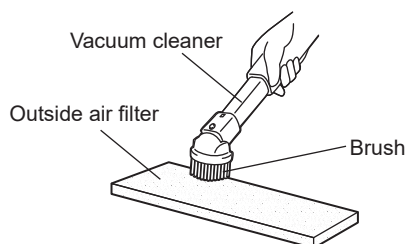
- 1) Pressing on the filter frame prong, pull the filter toward you to remove the filter frame from the main unit.
- 2) Remove the outside air filter from its filter frame.



### 7.1.5 Cleaning

#### Cleaning the outside air filter

Remove the dust with a vacuum cleaner.



When the filter is heavily soiled, press and wash the filter with cold or warm water (40°C or less), and then air-dry the filter.

### Note

- Do not wash the filter as below, otherwise it can be distorted.
- Do not wash the filter with hot water.
- Do not wash the filter by rubbing or scrubbing.
- Do not squeeze or twist the filter.

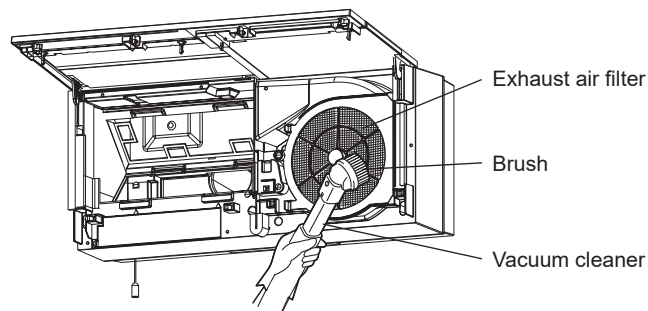


### Replacement:

The filter is a consumable part. We recommend to replace the filter with the replacement filter (P-80F-E) after you have washed the filter four times.

### Cleaning the exhaust air filter

Use a vacuum cleaner to remove dust.



### Note

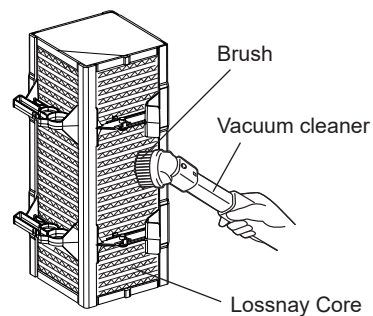
- Do not press wires, screwdrivers or hard vacuum cleaner nozzles into the surface of the exhaust air filter. (Doing so may damage the filter.)

### Cleaning the Lossnay Core

Clean the Lossnay Core at least once a year.

Use a vacuum cleaner to remove surface dust.

- Vacuum the surface gently with the vacuum cleaner nozzle.



### Note

- Do not expose the Lossnay Core to water, chemicals, or volatile solutions.
- Do not expose the Lossnay Core close to open flames.
- Do not press wires, screwdrivers or hard vacuum cleaner nozzles into the surface.

## 7.1.6 Reassembly and checking after maintenance

Mount the filter and Lossnay Core by the opposite of the removal procedure.

For detailed information, refer to the video available here.

<https://www.youtube.com/@mitsubishielectriconakatsug585>

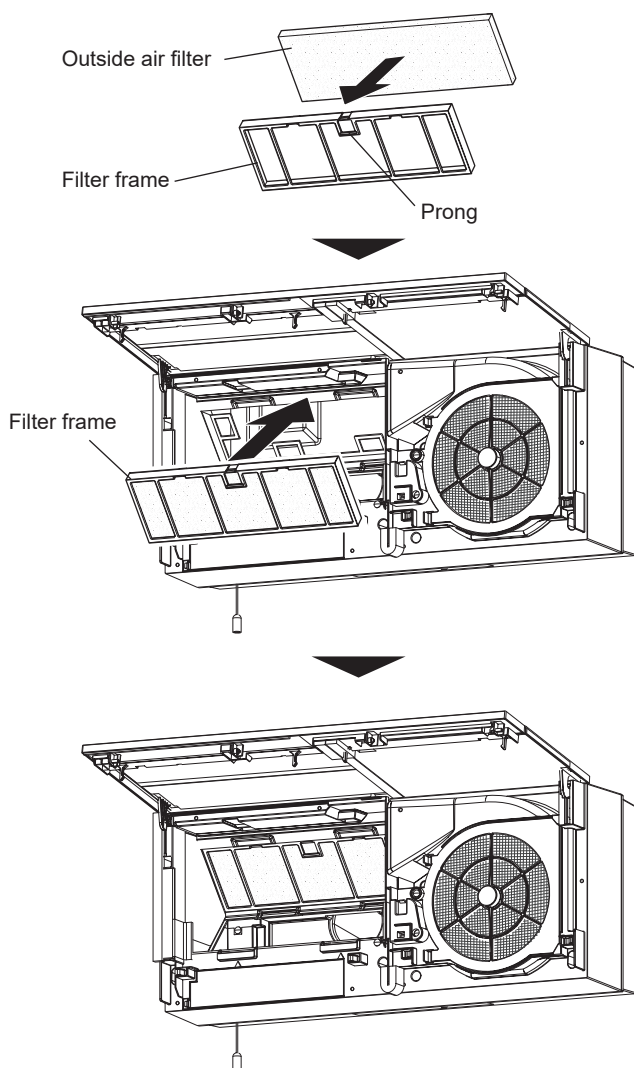


### ⚠ Caution

- After maintenance, reattach the parts securely.
- Injury could result if the unit falls.

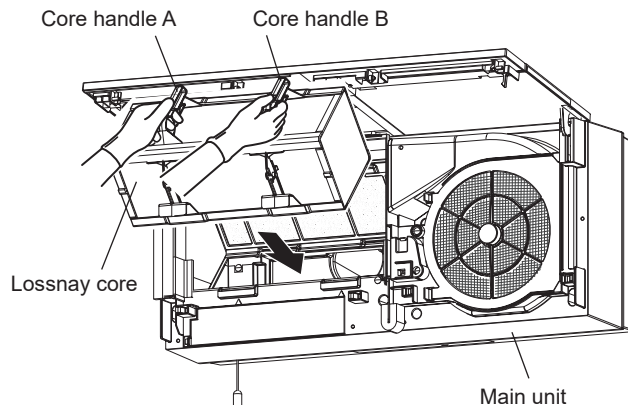
#### 1) Mount the outside air filter. (See 4. Names of parts.)

Place the outside air filter into the filter frame and mount it in the main unit. (Do not confuse the top and bottom.)

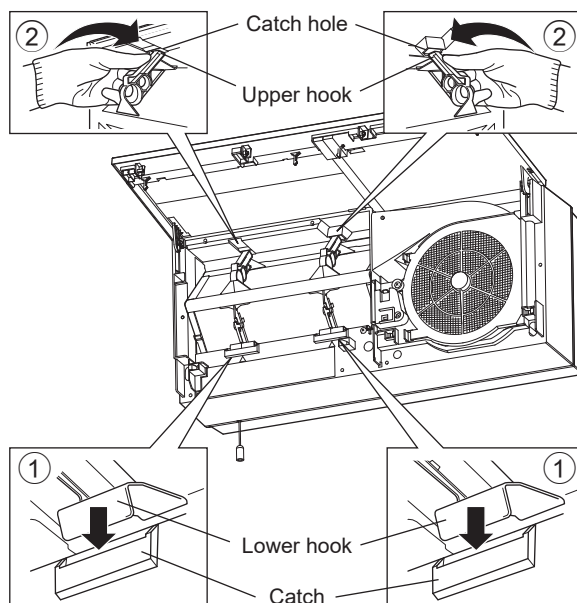


#### 2) Mount the Lossnay Core.

- (1) Hold core handles A and B of the Lossnay Core with both hands and push the Lossnay Core into the Main unit.



- (2) Hook the lower hook of core handles A and B on the catch (①) then hook the upper hooks in the catch holes (②) as shown in the figure below.

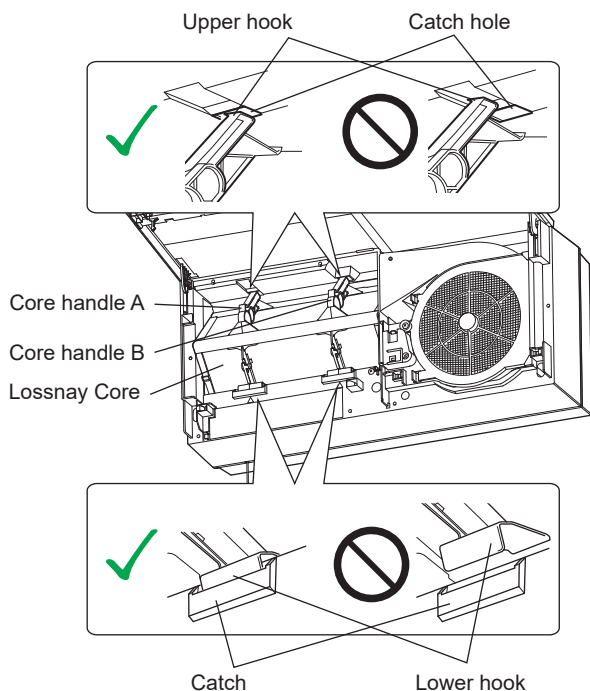


### ⚠ Caution

- Hold the core handle with both hands.
- Failure to do so could result in damage or injury as you lose your balance.

## Note

- After installation, check that the lower hooks fit the catch.
- If not, performance may be lowered.

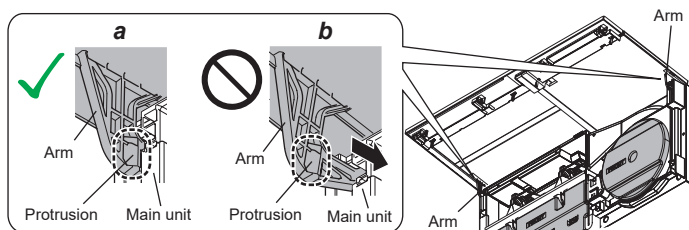


- 3) Check that the louver is closed and close the panel. (If the louver is open, the panel may get damaged.)

Swing the panel closed until you hear a click.

## Note

- When closing the panel, check that the protrusion on the arm is at the position shown in *a*. If the protrusion on the arm is sticking out of the main unit as shown in *b*, push the panel in the direction indicated by the arrow until you hear a click. (Closing the panel while the protrusion on the arm is sticking out of the main unit may damage the panel.)



- 4) Turn on the circuit breaker or, for the VL-80U<sub>5</sub>-E, plug the power plug into the wall outlet.

- 5) Turn the power on.

- 6) After reassembly, check the following.

- Are the filters and the panel attached securely?
- Is the unit making no strange noises?
- Is the unit blowing air? (Be sure to check the unit while it is running. Before starting the operation, check that neither of the air flow covers are installed.)

## Cleaning the panel/main unit

If the panel or main unit becomes dirty, wipe it with a well-wrung cloth soaked in a solution of neutral detergent and lukewarm water (40°C or less), then wipe it with a clean cloth to remove any traces of detergent.

## Note

- Use of any of the following solvents in maintenance may warp, weaken or discolor Lossnay components.
  - Paint thinner, alcohol, benzene, gasoline, kerosene, aerosol sprays, alkaline cleaners, chemical wipes, or abrasive-containing detergents, such as cleansers
- Clean any dust off of the plug. (VL-80U<sub>5</sub>-E only)

## 8. Troubleshooting

Inspect the unit if any of the following problems occurs. If the problem is not listed below, or the problem persists after inspection, shut off the circuit breaker on the distribution board or, for VL-80U<sub>5</sub>-E, remove the power plug from the wall outlet, and then contact your dealer.

Model	Problem	Cause	Check the following	Page
VL-80U <sub>5</sub> -E VL-80EU <sub>5</sub> -E	Unit does not operate.	No power to main unit.	Check the power plug. (VL-80U <sub>5</sub> -E only) Check whether a breaker has tripped. Check whether a power failure has occurred.	6
	The unit is louder. The unit is noisy.	The panel or outside air filter is not attached securely.	Reattach the panel or filter.	10, 11
		The outside air filter or exhaust air filter is clogged.	Clean the filter.	9
	Less air than normal is coming from the unit.	The outside air filter or exhaust air filter is clogged.	Clean the filter.	9
	The incoming air feels cold.	The outside air temperature has dropped.	Turn the unit off temporarily and install the air flow covers, as dictated by the situation.	4, 7
	No air is coming from the unit. Not much air is coming from the unit.	The Lossnay is a heat-exchanging ventilator, so the volume of air will be lower than with an ordinary fan. This is normal.		—
		Are the air flow covers installed?	Remove both air flow covers.	7
	The unit is loud.	Are the air flow covers installed?	Remove both air flow covers.	7
The panel will not close.	The Lossnay Core or outside air filter is not mounted correctly. (A component is out of position or inserted backwards.)	Mounted the component correctly.	10, 11	
VL-80EU <sub>5</sub> -E	The operation does not match the wall switch.	The wiring is incorrect.	Contact your dealer.	—

## 9. Specifications

Model	Supply voltage (V)	Frequency (Hz)	Notch	Power consumption (W)	Air volume (m <sup>3</sup> /hr)	Temperature exchange efficiency (%)	Noise (dB)	Weight (kg)
VL-80U <sub>5</sub> -E VL-80EU <sub>5</sub> -E	220	50	HI	27	78	63	36.5	8.8
			LO	14	45	70	24	
	230	50	HI	28	80	62	37	
			LO	15.5	49	70	26	
	240	50	HI	30	81	62	38	
			LO	17	54	67	28	
220	60	HI	34	83	62	38		
		LO	17.5	46	70	25		

\* Noise values may be higher than those listed depending on the structure of the room.

## 10. After-sales servicing

Consult with your dealer about the after-sales services provided for this Lossnay product.

If you hear strange sounds, if no air is blown out or if some other trouble occurs, switch off the power and contact your dealer. Consult with your dealer concerning the cost of inspection or repair work.

### ■ Retention period of functional repair parts

We will retain the functional repair parts for 6 years after terminating production of the product.  
The functional repair part means a part which is necessary to maintain the function of the product.

### ■ Recommended inspection and maintenance

After several years of use, the following might occur. We recommend inspection and maintenance by a professional.

- Entry of dust due to deterioration of filters
- Abnormal noise or vibration due to the motor reaching the end of its service life
- Air leakage due to the heat exchanger reaching the end of its service life
- Broken tabs on the louver or the panel due to deterioration of plastic
- Damage to the air flow cover due to deterioration

The following are consumables:

- Outside air filter
- Exhaust air filter
- Motor
- Heat exchanger
- Panel and Louver
- Air flow cover (SA)
- Air flow cover (RA)

### ■ Repair costs include technical fee, cost of parts, (and business trip charges), etc.

Manufactured by: **MITSUBISHI ELECTRIC CORPORATION**

TOKYO BLDG. 2-7-3, MARUNOUCHI, CHIYODA-KU, TOKYO, 100-8310 JAPAN